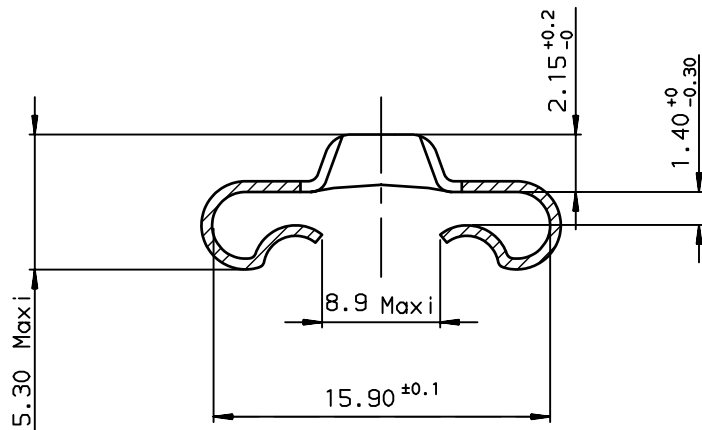
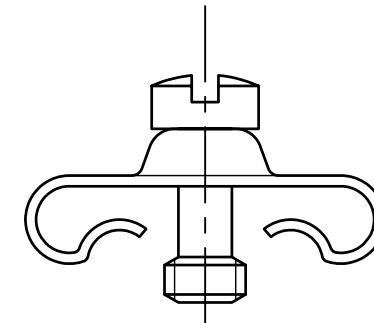


NOTES

Pieces assembly
 Packaging : per 100 pieces
 Material : steel
 Plating : cadmium plating
 Thread : UNC 4.40

VIEW ASSEMBLY



Part Number **8630-15A**

European Views

www.fciconnect.com		surface ISO 1302	<input checked="" type="checkbox"/>	tolerance std ISO 406 ISO 1101	projection 	mm
TOLERANCES UNLESS OTHERWISE SPECIFIED						
Dr	JOUBERT	2001/07/25	ANGULAR	0.X	±0.1	size A3
Eng	-	-	LINEAR	0.XX	±0.1	Scale 5
Chr	-	-	0.XX' ±2°	0.XXX	±0.1	ECN LS07-0001
Appr	-	-	Product family	D-SUB	Spec ref	-
FCI		title MALE SCREW LOCKS			dwg no C01-8655-1552	
-		50 POINTS (P)			Rev. C	
-		catalog no			CUSTOMER sheet 1 of 1	

rev	ecn no	dr	date
A	-	SJO	2001/07/25
B	LS06-0101	MPE	2006/06/27
C	LS07-0001	MPE	2007/01/02
-	-	-	-
-	-	-	-
-	-	-	-